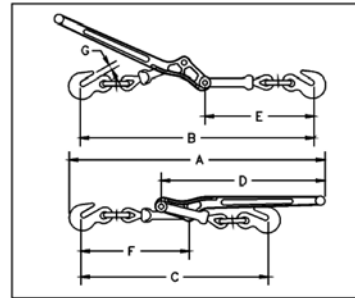


Lebus® Load Binders



Load Rated

L-150



L-150 Standard Lever Type Load Binders

- Extra heavy construction at leverage point to prevent spreading. Heel of binder toggles away from load, permitting easy release.
- Ball and socket swivel joints at hook assemblies permit a straight line pull.
- Meets or exceeds DOT and CVSA Cargo Securement Tie-Down Guidelines, November 2003.

Model	Stock No.	Std. Pkg.	Min-Max Chain Size (in.)	Working Load Limit (lbs.)	Proof Load (lbs.)*	Ultimate Load (lbs.)	Weight Each (lbs.)	Handle Length (in.)	Take Up (in.)	Dimensions (in.)						
										A	B	C	D	E	F	G
7-1	1048128	4	5/16-3/8	5400	10800	19000	7.02	16.00	4.50	24.13	22.13	17.88	16.00	10.38	10.38	.50
A-1	1048146	4	3/8-1/2	9200	18400	33000	12.47	18.69	4.50	28.75	25.75	21.25	18.69	12.31	12.38	.63
C-1	1048164	4	1/2-5/8	13000	26000	46000	19.68	21.00	4.75	31.25	29.75	25.00	21.00	14.63	13.75	.72

* Binders shown with Proof Loads have been individually proof tested to these values shown, prior to shipment.

For further information, please contact us at:

KS DISTRIBUTION PTE LTD

A subsidiary of KS Energy Services Limited

19 Jurong Port Road, Singapore 619093
 Tel: +65 6415 0808 Fax: +65 6415 0807
 Email: enquiry@ksenergy.com.sg
 Website: www.ksenergy.com.sg

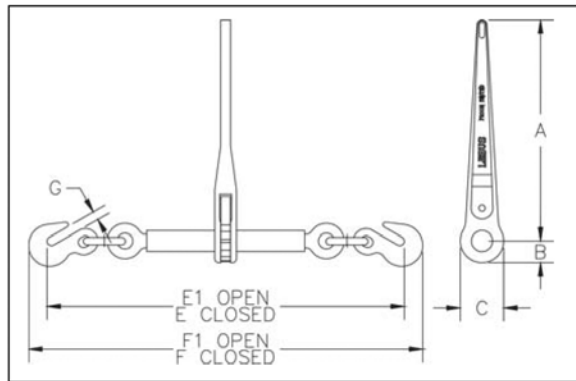
Lebus[®] Load Binders

Load Rated

L-140



- Upgraded for use with Grades 70, 80 and 100 Chain.
- Utilizes standard Crosby A-323 Alloy Eye Grab Hooks.
- New design "one piece" forged handle.
- Continuous take-up feature provides finite adjustment to tie down load.
- One piece assembly, no bolts or nuts to loosen.
- Ratchet spring is rust proofed.
- All load bearing or holding parts forged.
- Easy operating positive ratchet.



L-140
Standard Ratchet Type Load Binders

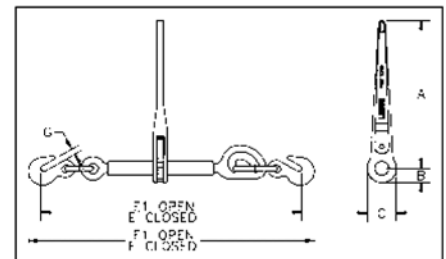
Model	Stock No.	Min-Max Chain Size (in.)	Working Load Limit (lbs.)*	Proof Load (lbs.)	Weight Each (lbs.)	Handle Length (in.)	Barrel Length (in.)	Take Up (in.)	Dimensions (in.)							
									A	B	C	E	E1	F	F1	G
R-7 **	1048404	5/16-3/8	8800	17600	12.11	14	10	8.0	14.00	1.38	2.75	22.94	30.94	25.13	33.13	.50
R-A **	1048422	3/8-1/2	15000	30000	14.70	14	10	8.0	14.00	1.38	2.75	25.25	33.25	27.63	35.63	.63
R-C ***	1048440	1/2-5/8	16000	32000	14.55	14	10	8.0	14.00	1.38	2.75	26.38	34.38	29.44	37.44	.72

* Ultimate Load is 3 times the Working Load Limit.
 ** Matches the Working Load Limit of Grade 100 chain for both sizes.
 *** Matches the Working Load Limit of Grade 100 chain for 1/2" size.

R-7QL



- For use with Grade 7 Transport Chain.
- Utilizes standard Crosby A-323 Alloy Eye Grab Hooks.
- New design "one piece" forged handle.
- Continuous take-up feature, infinite adjustment, gets the last half of chain.
- One piece assembly, no bolts or nuts to loosen.
- Ratchet spring is rust proofed.
- All load bearings or holding parts forged.
- Easy operating positive ratchet.



R-7QL
QUIC-LINK Ratchet Load Binder

Model	R-7QL Stock No.	Min-Max Chain Size (in.)	Working Load Limit (lbs.)*	Proof Load (lbs.)	Weight Each (lbs.)	Handle Length (in.)	Barrel Length (in.)	Take Up (in.)	Dimensions (in.)							
									A	B	C	E	E1	F	F1	G
R-7QL	1048413	5/16-3/8	6600	13200	12.25	14	10	8.0	14.00	1.38	2.75	24.81	32.81	27.00	35.00	.50

* Ultimate Load is 3 times the Working Load Limit.